



PRODUCT RECALLS

Trek Bicycles Recall

📅 MAY 13, 2015

Trek Bicycles has issued a product recall on certain models of Trek Bicycles manufactured from the year 2000 to 2015. The recall concerns only those models sold equipped with disc brakes and a front quick release lever that opens past 180° (Figure 1).

If the quick release is improperly adjusted or left open on a bicycle which also has a front disc brake, the quick release lever can become caught in the front disc brake assembly (Figure 2). If this happens, the front wheel could separate or come to a sudden stop posing a fall hazard.

Figure 1

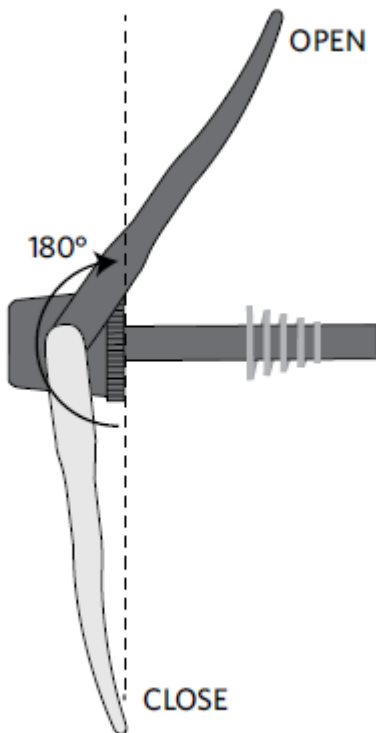
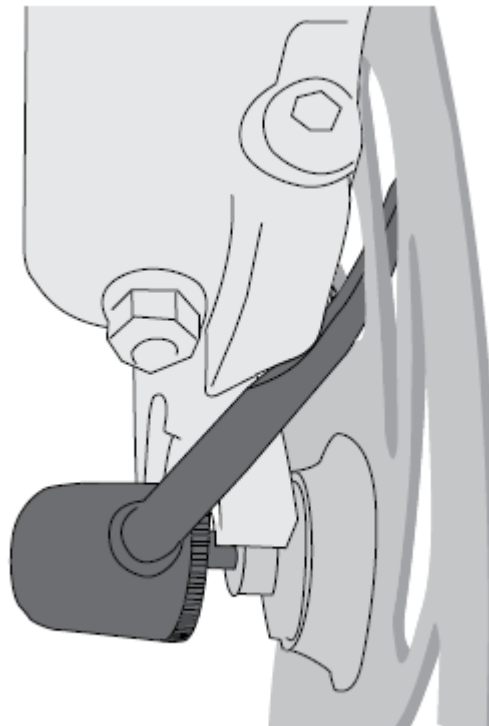


Figure 2



What to do:

Bring your bicycle back to your Trek retailer who will replace the quick release. If you are unsure whether your bicycle has this combination your local retailer will carry out a free inspection.

Further information including videos on quick release installation and removal is available on Trek's website at <http://trekbikes.com/uk/en/support/manuals> or at [🔗](#)

http://www.trekbikes.com/uk/en/support/safety_and_recalls/.